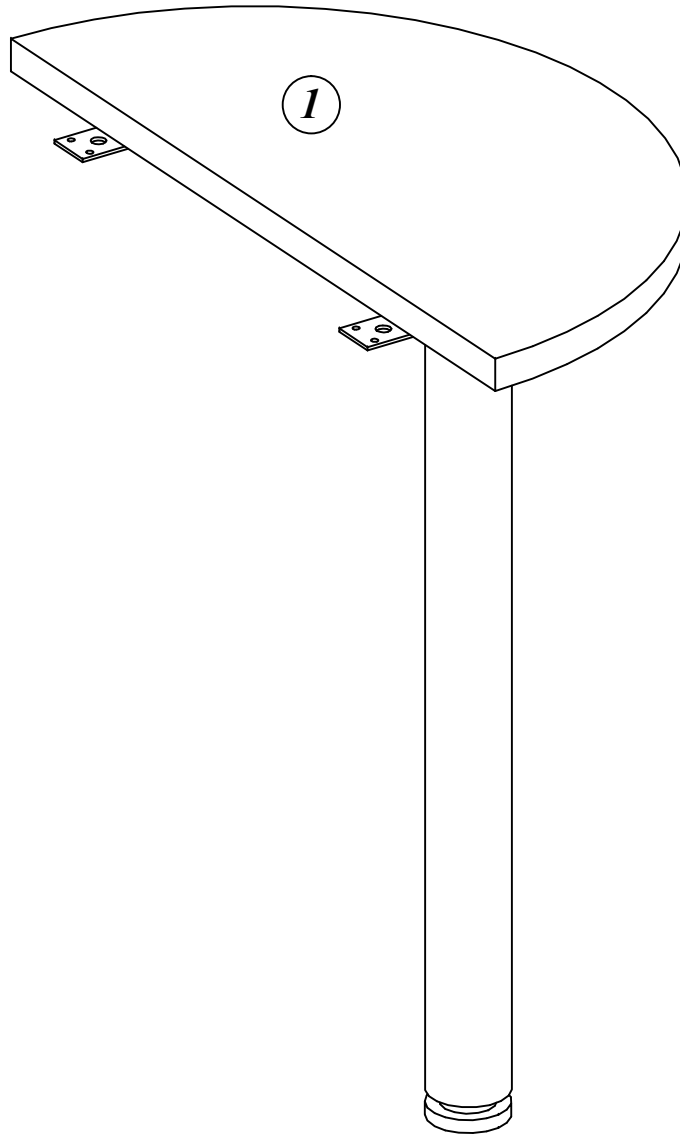
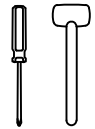
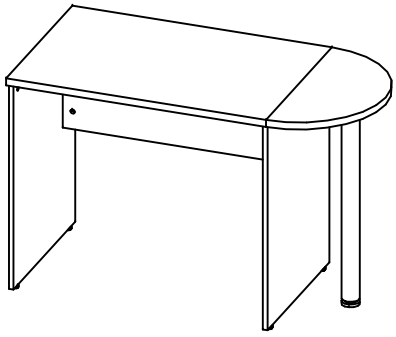


SP - 300

1



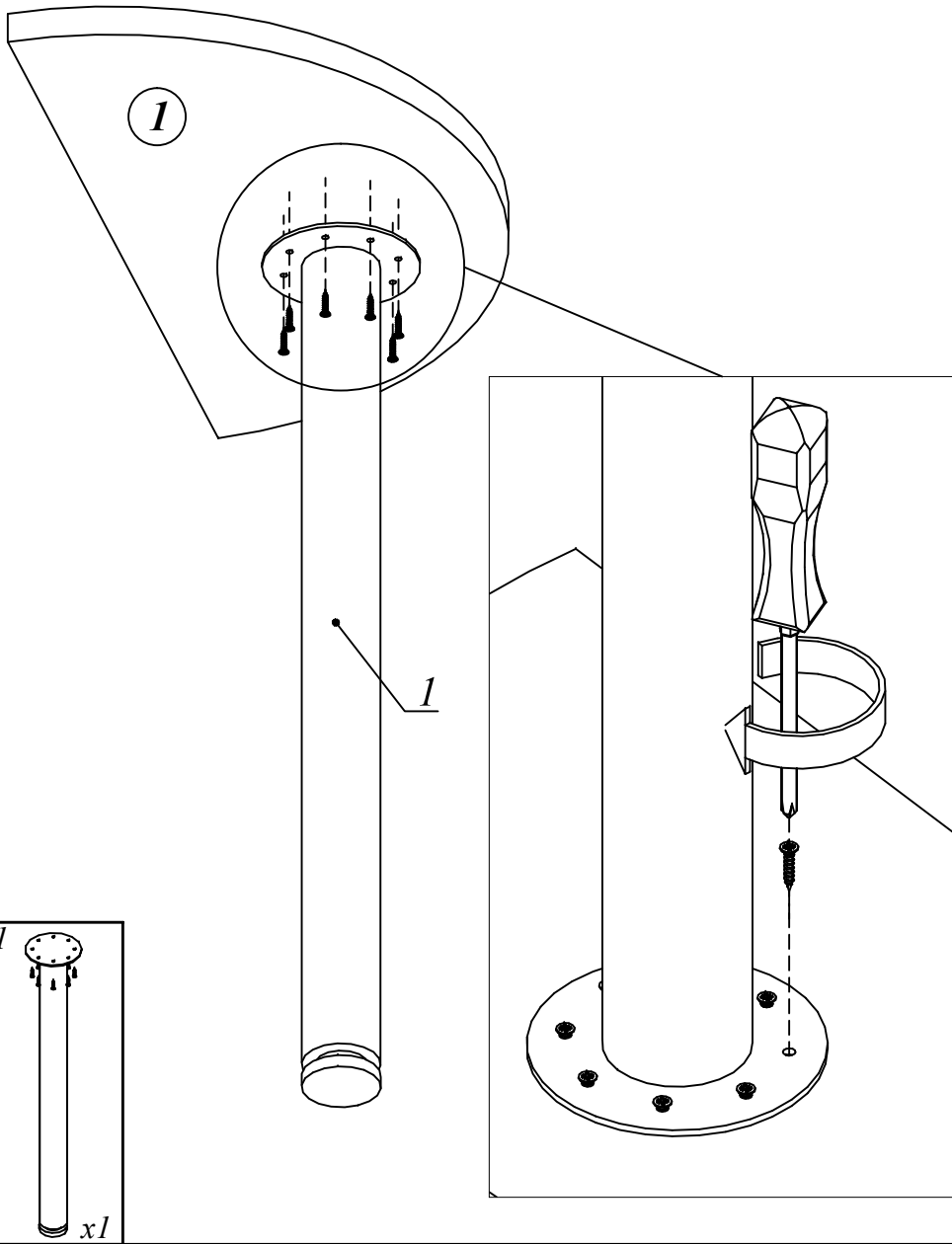
600x300x16



EAC

1		x1
2		x2
3		x16

I



II

